



BOSCH
Invented for life

Diesel nozzle kit

Application brochure 2020 / 2021



Diesel injection nozzles by Bosch

Superior quality and reliability by design

The diesel injection nozzle determines the air-fuel mixture in the engine for combustion to be as efficient as possible. It has a fundamental effect on engine performance, exhaust gas behavior, and noise.

Bosch diesel injection nozzles are designed for performance, durability, fuel efficiency, and preserving the environment. They are manufactured with utmost precision using state-of-the-art technology that achieves optimum results, which are not visible to the naked eye.



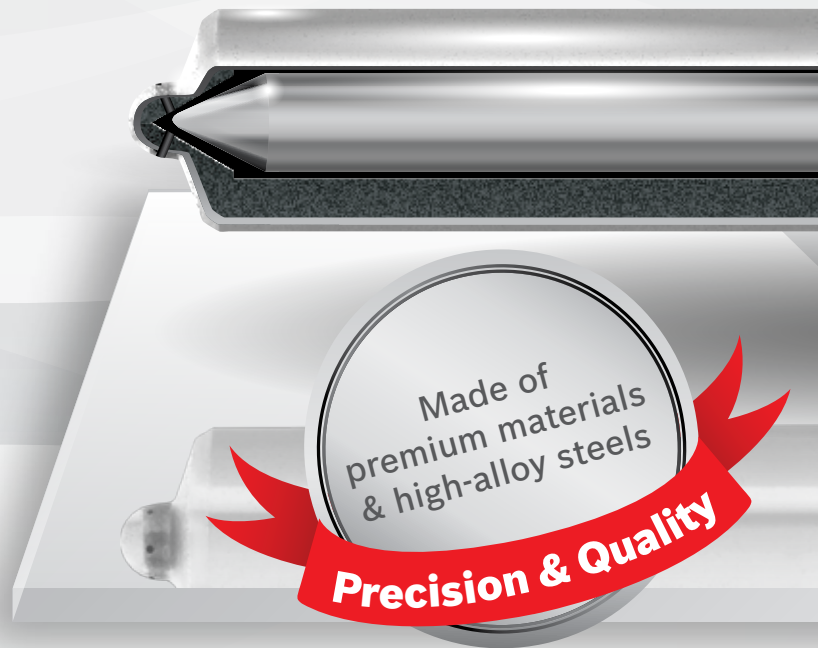
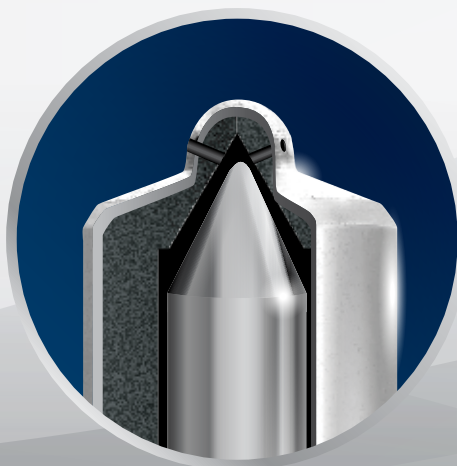
Original Equipment quality

Features:

- Material meets OEM specification
- Undergone stringent tests

Benefits:

- + Long service life
- + Peace of mind



State-of-the-art manufacturing

Features:

- Multi-cone needle design for assured performance
- Spray orifices made by electro-erosion process for engineering precision
- Hydro-erosive grinded inlet edge enhances smooth fuel flow
- Nozzle needle with C2 coating for enhanced durability

Benefits:

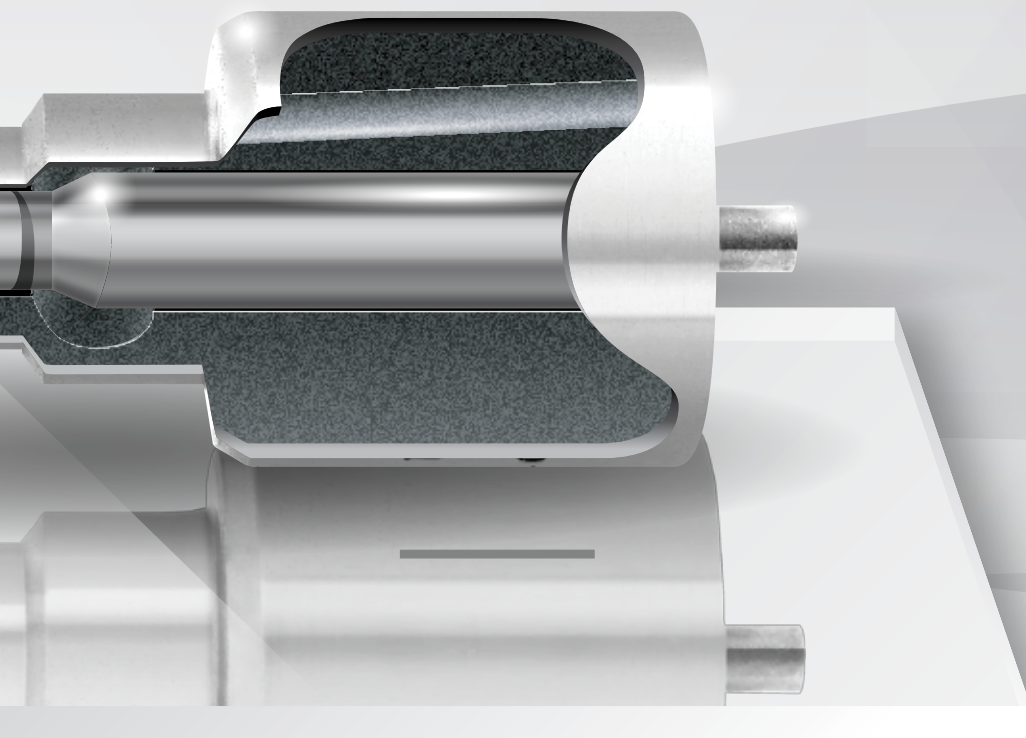
- + Optimized fuel consumption
- + Reduced engine noise
- + Reduced exhaust gas emissions

Precision and quality

Bosch nozzles are made of premium materials and high-alloy steels. They are precision-engineered to have a tolerance of merely 0.002mm on their movable parts. That is 30 times thinner than the human hair! These result in:

+ Exceptional engine performance to take your driving experience to new heights:

- Optimised fuel consumption
- Efficient combustion
- Lowered emissions
- Increased service life



Precise inner geometry

Features:

- Accurate geometry design to optimize opening and closing action of needle
- Precise metering of injected fuel

Benefits:

- + Lowered emissions
- + Maximum performance



Applications

Bosch Nozzle Kit

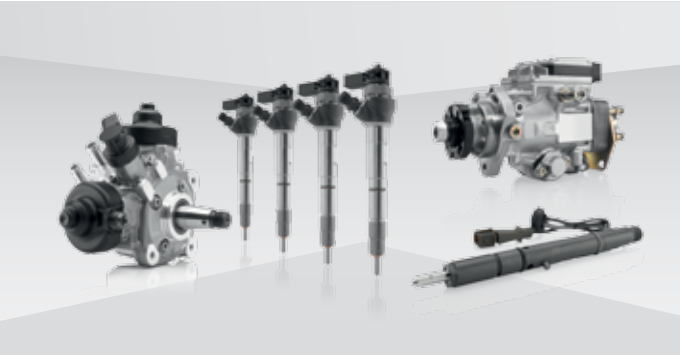
Make	Model	Start	End	Name	kW	Type	Type	Order Part Nr	
CHEVROLET	Colorado 2.5 4x4	Dec-06	-	4JK1-TC	85	8-981595830	295050-0910	DLLA 152 P 879 DLLA 152 P 1071	F 01Z N00 005
	Colorado 2.5	May-05	-	4JK1-T	59	8-98011604#	095000-6980 095000-6983 095000-6100	DLLA 152 P 879 DLLA 152 P 1071	F 01Z N00 005
	Colorado 3.0 DT	Apr-04	Jan-06	4JJ1-T 4JH1-T	88 - 107	8-98011604#	095000-6980 095000-6983 095000-6100	DLLA 152 P 862 DLLA 152 P 1072	F 01Z N00 006
	Colorado 3.0 DT 4WD	Nov-04	-	4JJ1-T	90	8-98011604#	095000-6980 095000-6983 095000-6100	DLLA 152 P 862 DLLA 152 P 1072	F 01Z N00 006
ISUZU	D-Max 2.5 DT	Jan-07	-	4JK1-TC	100	8-97354811# 8-980116050	095000-575# 095000-617#	DLLA 152 P 879 DLLA 152 P 1071	F 01Z N00 005
	D-Max 2.5 DT incl. 4WD	Jan-07	-	4JK1-TC	100	8-97354811# 8-980116050	095000-575# 095000-617#	DLLA 152 P 879 DLLA 152 P 1071	F 01Z N00 005
	D-Max 3.0 DT incl. 4WD	Jan-07	-	4JJ1-TC	100 - 130	8-97311372# 8-98011604# 8-980749090	095000-543# 095000-610# 095000-803#	DLLA 152 P 862 DLLA 152 P 1072	F 01Z N00 006
	D-Max (Cab) 4x4 2.5 I-TEQ DT incl. 4WD	Oct-04	Jan-12	4JK1-TC	85	8-98159583#	295050-091#	DLLA 152 P 879 DLLA 152 P 1071	F 01Z N00 005
	D-Max Hi-Lander 3.0 I-TEQ DT	Oct-04	Aug-13	4JJ1-TC	107	8-98011604#	095000-6980	DLLA 152 P 862 DLLA 152 P 1072	F 01Z N00 006
	Elf 3.0 DT incl. 4WD	Feb-07	-	4JJ1-TCN 4JJ1-TCS	81 - 110	8-976097912 8-980749090 8-980118881	095000-639# 095000-803# 095440-091#	DLLA 152 P 862 DLLA 152 P 1072	F 01Z N00 006
	Mu-7 3.0 I-TEQ DT incl. 4WD	Oct-04	-	4JJ1-TC 4JJ1-TCX	107 - 120	8-97311372# 8-98011604#	095000-543# 095000-610# 095000-6980	DLLA 152 P 862 DLLA 152 P 1072	F 01Z N00 006
	Mu-7 TD 3.0 Diesel Turbocharger	Sep-06	-	4JJ1-TCX	120	8-98011604#	095000-6980	DLLA 152 P 862 DLLA 152 P 1072	F 01Z N00 006
	NLR 150T 2.9 Carrier	Sep-08	Aug-13	4JJ1-TC	96	8-97329703#	9709500-547	DLLA 152 P 862 DLLA 152 P 1072	F 01Z N00 006
	NLR 3.0	Aug-08	-	4JJ1 4JJ1-TC	110	8-97329703#	9709500-547	DLLA 152 P 862 DLLA 152 P 1072	F 01Z N00 006
	Rodeo D-Max 3.0 I-TEQ Diesel Turbo 4WD	Oct-04	-	4JJ1-TC	100	8-98011604#	095000-6980	DLLA 152 P 862 DLLA 152 P 1072	F 01Z N00 006
Space Cab 3.0 Diesel Turbo 4WD	Oct-04	Mar-09	4JJ1-TC	107	8-98011604#	095000-6980	DLLA 152 P 862 DLLA 152 P 1072	F 01Z N00 006	
NISSAN	Navara 2.5 dCi incl. 4WD	May-05	Aug-13	YD25DDTI	106 - 140	16600-EB30# 16600-EC00# 16600-5X00#	095000-565# DCRI10-5650 295050-030# 095000-625# DCRI10-6250	DLLA 152 P 947	F 01Z N00 004
	NV350 Caravan (Bus, Van) 2.5 DT incl. 4WD	Jun-12	-	YD25DDTi	95	16600-EC00#	095000-625# DCRI10-6250	DLLA 152 P 947	F 01Z N00 004
	Pathfinder 2.5 dCi 4x4	Jan-05	Aug-13	YD25DDTI	128 - 140	16600-EB30# 16600-EC00# 16600-5X00#	095000-565# 295050-030#	DLLA 152 P 947	F 01Z N00 004

Make	Model	Start	End	Name	kW	Type	Type	Order Part Nr	
TOYOTA	Dyna 100 3.0 D-4D incl. DT, 4WD	Sep-06	Aug-13	1KDFTV	80 - 106	23670-30390 23670-30120 23670-30130 23670-30330 23670-30260 23670-39165 23670-39225 23670-39265 23670-39255 23670-39175 23670-39305	295050-008# 095000-781# 095000-783# 095000-782# 095000-784#	DLLA 155 P 1062 DLLA 155 P 863	F 01Z N00 001
	Dyna 2.5 D-4D	Aug-01	Oct-06	2KDFTV	65 - 75	23670-39035 23670-30030 23670-39036 23670-UL010	095000-0940	DLLA 145 P 1024	F 01Z N00 002
	Fortuner 2.5 Diesel	Jun-05	-	2KDFTV	102	23670-0L090 23670-30400 23670-09350 23670-39365 23670-09380	295050-018# 295050-046# DCRI30-0460 295050-0812	DLLA 145 P 1024	F 01Z N00 002
	Fortuner 3.0 Diesel Turbo incl. 4WD	Nov-04	-	1KDFTV	120 - 125	23670-0L100 23670-30410 23670-39255 23670-09340 23670-39445 23670-0L050 23670-09330	295050-019# 295050-021# 295050-047# 295050-053# 295900-024# 095000-8290 095000-8220	DLLA 155 P 1062 DLLA 155 P 863	F 01Z N00 001
	Hiace 2.5 D-4D incl. DT, DT 4x4	Aug-01	May-15	2KDFTV	70 - 86	23670-39035 23670-30030 23670-39045 23670-30040	095000-094# 095000-095# 095000-077# 095000-063# DCRI10-0940	DLLA 145 P 1024	F 01Z N00 002
	Hiace 2.5 D-4D 4x4	Aug-01	Aug-13	2KDFTV	70 - 86	23670-39035 23670-30030 23670-39045 23670-30040	095000-094# 095000-095# 095000-077# 095000-063# DCRI10-0940	DLLA 145 P 1024	F 01Z N00 002
	Hiace Commuter 2.5 Diesel Turbo incl. 4WD	Jan-05	Sep-07	2KDFTV	80	23670-30240 23670-30300 23670-0L010 23670-39275 23670-39235 23670-09060 23670-30100	095000-776# 095000-739# 095000-593# 095000-552# DCRI10-7760 095000-619#	DLLA 145 P 1024	F 01Z N00 002
	Hiace Commuter 3.0 Diesel Turbo	Jan-05	-	1KDFTV	80	23670-0L100 23670-30410 23670-39255 23670-09340 23670-39445	295050-019# 295050-021# 295050-047# 295050-053# 295900-024#	DLLA 155 P 1062 DLLA 155 P 863	F 01Z N00 001
	Hiace Commuter 3.0 Diesel Turbo	Aug-07	-	1KDFTV	100	23670-0L100 23670-30410 23670-39255 23670-09340 23670-39445	295050-019# 295050-021# 295050-047# 295050-053# 295900-024#	DLLA 155 P 1062 DLLA 155 P 863	F 01Z N00 001
	Hiace Van 2.5 Diesel Turbo incl. 4WD	Aug-04	Sep-07	2KDFTV	80	23670-30240 23670-30300 23670-0L010 23670-39275 23670-39235 23670-09060	095000-776# 095000-739# 095000-593# 095000-552# DCRI10-7760	DLLA 145 P 1024	F 01Z N00 002
	Hiace Van 3.0 Diesel Turbo incl. 4WD	Jan-05	-	1KDFTV	80 - 100	23670-0L100 23670-30410 23670-39255 23670-09340 23670-39445	295050-019# 295050-021# 295050-047# 295050-053# 295900-024#	DLLA 155 P 1062 DLLA 155 P 863	F 01Z N00 001
	Hilux 2.5 D-4D 4x4	Jul-11	May-15	2KDFTV	106	23670-09380	295050-0813	DLLA 145 P 1024	F 01Z N00 002

Make	Model	Start	End	Name	kW	Type	Type	Order Part Nr	
TOYOTA	Hilux 2.5 Diesel Turbo Pickup 4x4	Aug-01	Aug-05	2KDFTV	65 - 75	23670-39035 23670-30030 23670-39045 23670-30040	095000-094# 095000-095# 095000-077# 095000-063# DCRI10-0940	DLA 145 P 1024	F 01Z N00 002
	Hilux 3.0 D-4D 4x4 (Diesel Turbo, Diesel Turbo 4x4)	Mar-05	Aug-13	1KDFTV	120	23670-30280 23670-39185 23670-30140 23670-39215 23670-30220 23670-39310 23670-39315 23670-0L050 23670-30370	095000-7780 095000-7781 095000-676# 095000-703# 095000-7410 095000-8290 095000-8561	DLA 155 P 1062 DLA 155 P 863	F 01Z N00 001
	Hilux Surf 3.0 Diesel Turbo 4WD	Jun-00	Aug-05	1KDFTV	125	23670-09330 23670-0L050 23670-09070 23670-0L020	095000-5920 095000-5921 095000-8290 DCRI10-8290	DLA 155 P 1062 DLA 155 P 863	F 01Z N00 001
	Hilux Tiger D4D 2.5 Diesel Turbo	Jul-98	Sep-04	2KDFTV	75	23670-0L010 23670-0L011 23670-0L070 23670-30100 23670-30240 23670-30300 23670-09060 23670-39235 23670-39275 23670-30050	095000-5520 095000-5525 095000-6190 095000-7390 095000-7761 095000-7760 095000-5931 095000-5930 DCRI10-7760 095000-5881 095000-5880 DCRI10-5880 095000-7380 095000-7381 095000-7382 095000-7750	DLA 145 P 1024	F 01Z N00 002
	Hilux Tiger D4D 2.5 Diesel Turbo 4x4	Nov-01	-	2KDFTV	76	23670-0L010 23670-0L011 23670-0L070 23670-30100 23670-30240 23670-30300 23670-09060 23670-39235 23670-39275 23670-30050	095000-5520 095000-5525 095000-6190 095000-7390 DCRI10-7760 095000-7761 095000-7760 095000-5931 095000-5930 095000-5881 095000-5880 DCRI10-5880 095000-7380 095000-7381 095000-7382 095000-7750	DLA 145 P 1024	F 01Z N00 002
	Hilux Tiger D4D 3.0 Diesel Turbocharge 4x4	Jan-02	Sep-04	1KDFTV	93	23670-09330 23670-0L050 23670-09070 23670-0L020	095000-5920 095000-5921 095000-8290 DCRI10-8290	DLA 155 P 1062 DLA 155 P 863	F 01Z N00 001
	Hilux Tiger Diesel Turbocharge 3.0	Jan-02	Sep-06	1KDFTV	92	23670-09330 23670-0L050 23670-09070 23670-0L020	095000-5920 095000-5921 095000-8290 DCRI10-8290	DLA 155 P 1062 DLA 155 P 863	F 01Z N00 001
	Hilux Vigo 2.5 Diesel Turbo	Jul-02	May-15	2KDFTV	76	23670-0L010 23670-0L011 23670-0L070 23670-30100 23670-30240 23670-30300 23670-09060 23670-39235 23670-39275 23670-30050	095000-5520 095000-5525 095000-6190 095000-7390 DCRI10-7760 095000-7761 095000-7760 095000-5931 095000-5930 095000-5881 095000-5880 DCRI10-5880 095000-7380 095000-7381 095000-7382 095000-7750	DLA 145 P 1024	F 01Z N00 002

Make	Model	Start	End	Name	kW	Type	Type	Order Part Nr	
TOYOTA	Hilux Vigo 2.5 Diesel Turbo incl. 4x4	Oct-04	May-15	2KDFTV	76 - 106	23670-0L090 23670-30400 23670-09350 23670-39365 23670-09380 23670-30030 23670-39035	295050-018# 295050-046# DCRI30-0460 095000-077# 095000-094#	DLA 145 P 1024	F 01Z N00 002
	Hilux Vigo 3.0 Diesel Turbo incl. 4WD	Oct-04	Aug-13	1KDFTV	93 - 120	23670-0L050 23670-09330	095000-8290 095000-8220	DLA 155 P 1062 DLA 155 P 863	F 01Z N00 001
	Innova 2.5 CRDi	Mar-05	-	D4D	75	23670-30030 23670-39035	095000-077# 095000-094#	DLA 145 P 1024	F 01Z N00 002
	Kijang Innova 2.5 Diesel	Aug-04	Aug-13	2KDFTV	75	23670-30030 23670-39035	095000-077# 095000-094#	DLA 145 P 1024	F 01Z N00 002
	Land Cruiser (3.0 D-4D / Prado 3.0 TD incl. 4x4)	Aug-00	Aug-13	1KDFTV	120 - 140	23670-30020 23670-39025 23670-39015 23670-30140 23670-30220 23670-30280 23670-30080 23670-39135 23670-30010	095000-075# 095000-052# 095000-053# 095000-754# 095000-5890 095000-5891 095000-5740 095000-773# 095000-074#	DLA 155 P 1062 DLA 155 P 863	F 01Z N00 001
	Land Cruiser Prado 3.0 TD	Sep-02	Aug-13	1KDFTV	120	23670-39025	095000-074#	DLA 155 P 1062 DLA 155 P 863	F 01Z N00 001
	Quantum 2.5 D-4D	Mar-05	Aug-13	2KDFTV	75	23670-30030 23670-39035	095000-077# 095000-094#	DLA 145 P 1024	F 01Z N00 002
	Regiusace 2.5 Diesel Turbo	Aug-04	Sep-07	2KDFTV	80	23670-30240 23670-30300 23670-0L010 23670-39275 23670-39235 23670-09060 23670-30100	095000-776# 095000-739# 095000-593# 095000-552# DCRI10-7760 095000-619#	DLA 145 P 1024	F 01Z N00 002
	Regiusace 2.5 Diesel Turbo incl. 4WD	Aug-04	Sep-07	2KDFTV	80	23670-30240 23670-30300 23670-0L010 23670-39275 23670-39235 23670-09060 23670-30100	095000-776# 095000-739# 095000-593# 095000-552# DCRI10-7760 095000-619#	DLA 145 P 1024	F 01Z N00 002
	Regiusace 3.0 Diesel Turbo incl. 4WD	Sep-07	-	1KDFTV	100	23670-0L050 23670-09330	095000-8290 095000-8220	DLA 155 P 1062 DLA 155 P 863	F 01Z N00 001
	Sport Rider 2.5 Diesel Turbo 4WD	Oct-01	Dec-03	2KDFTV	75	23670-30030 23670-39035	095000-077# 095000-094#	DLA 145 P 1024	F 01Z N00 002
	Sport Rider 3.0 Diesel Turbo	Oct-01	Nov-04	1KDFTV	92	23670-09330 23670-0L050 23670-09070 23670-0L020	095000-5920 095000-5921 095000-8290 DCRI10-8290	DLA 155 P 1062 DLA 155 P 863	F 01Z N00 001
	Toyoace 3.0 Diesel Turbo incl. 4WD	Aug-07	Jun-11	1KDFTV	100 - 106	23670-0L100 23670-30410 23670-39255 23670-09340 23670-39445	295050-019# 295050-021# 295050-047# 295050-053# 295900-024#	DLA 155 P 1062 DLA 155 P 863	F 01Z N00 001

Step ahead with Bosch



No. 1 in Diesel Technology

- ▶ Providing diesel solutions for over 90 years
- ▶ Exceptional quality for all diesel systems
- ▶ 2 out of 3 diesel vehicles use Bosch injectors



Quality and reliability with Bosch nozzles

- ▶ Optimized fuel consumption with Bosch nozzles
- ▶ Improved engine performance
- ▶ Unmatched durability
- ▶ Nozzle kit contains nozzle and cap nut



One-stop solutions partner for your workshop

- ▶ As a complete diesel system provider, Bosch offers the perfect service network for all diesel vehicle owners
- ▶ Bosch quality spare parts
- ▶ Comprehensive solutions for cost-efficient repairs

For additional information, please visit:

bosch-automotive-aftermarket.com

What drives you, drives us

Robert Bosch (SEA) Pte Ltd
11 Bishan Street 21
Singapore 573943
Tel: (65) 657 12111
www.bosch.com.sg

Authorized Dealer



BOSCH
Invented for life

